

DECOMPOSÈ LIGHT

table

Atelier Oi | 2016

DANESE



MILANO



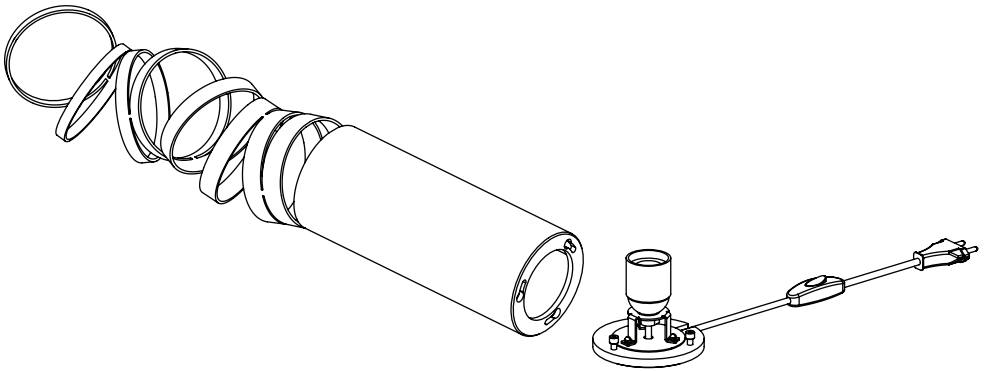
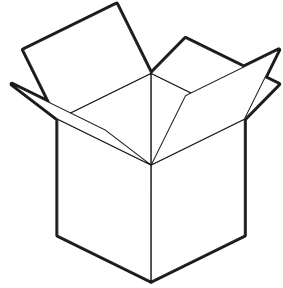
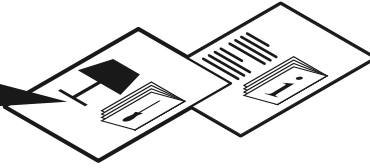
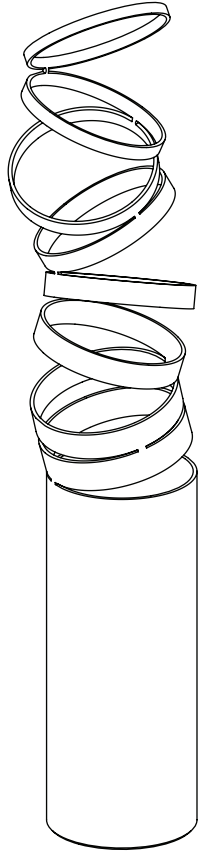


Fig. 1



220 - 240 V / 50 - 60 Hz	
MAX 8W (E27)	
LED: DRPAR	350 lm
LED: DRBP	470 lm
FLUO: FB	500 lm

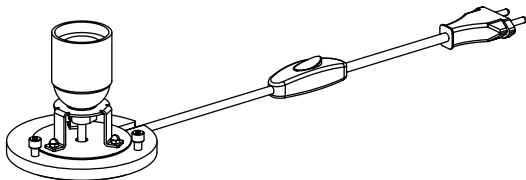
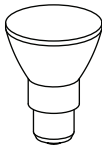
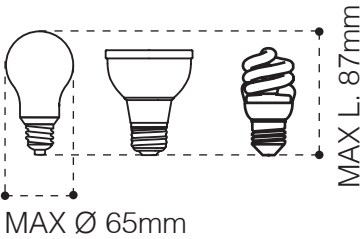


Fig. 2

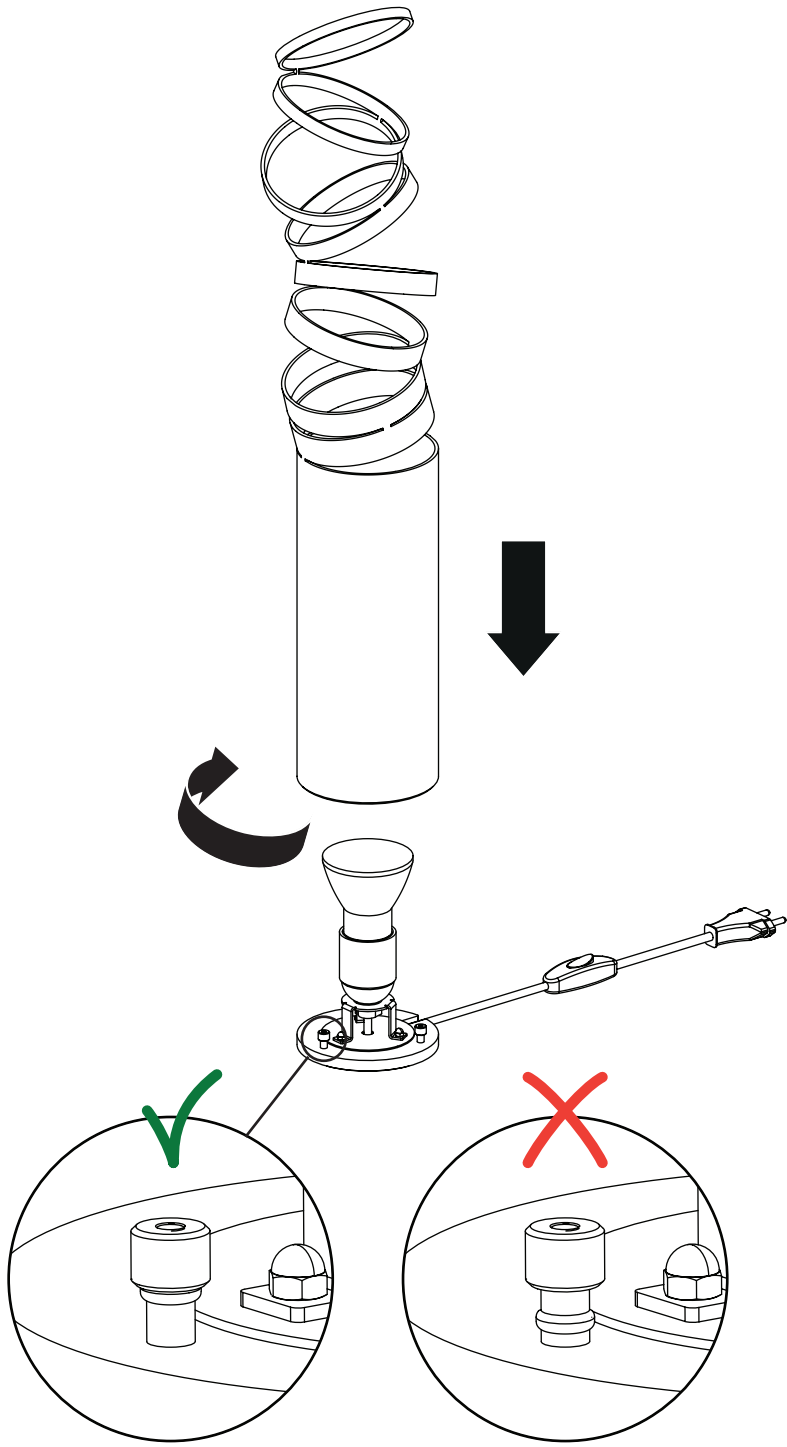


Fig. 3

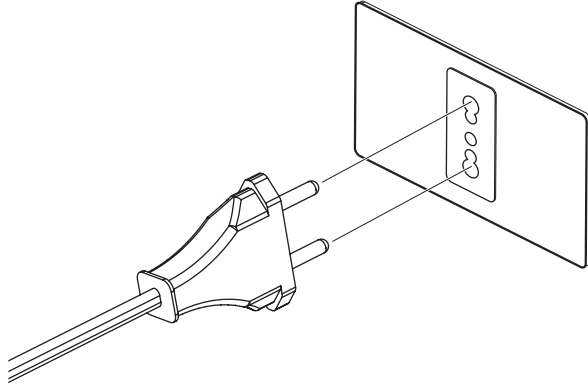


Fig. 4

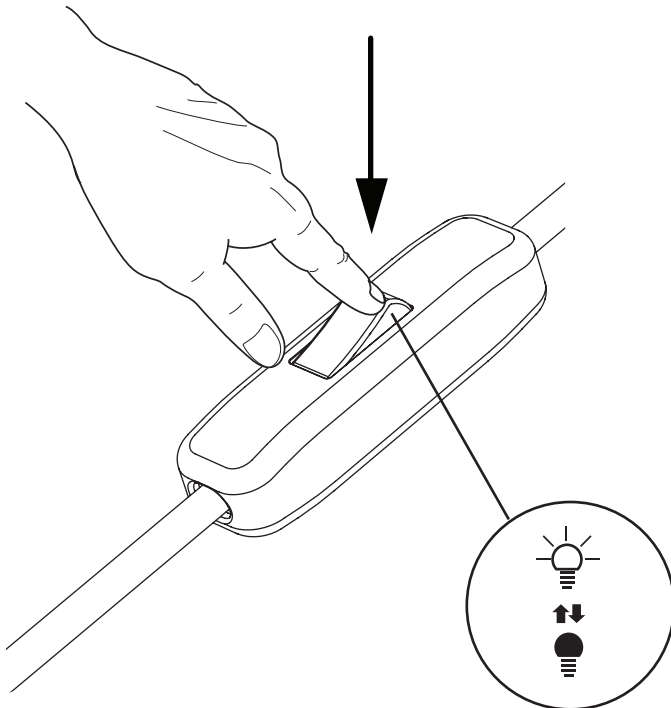
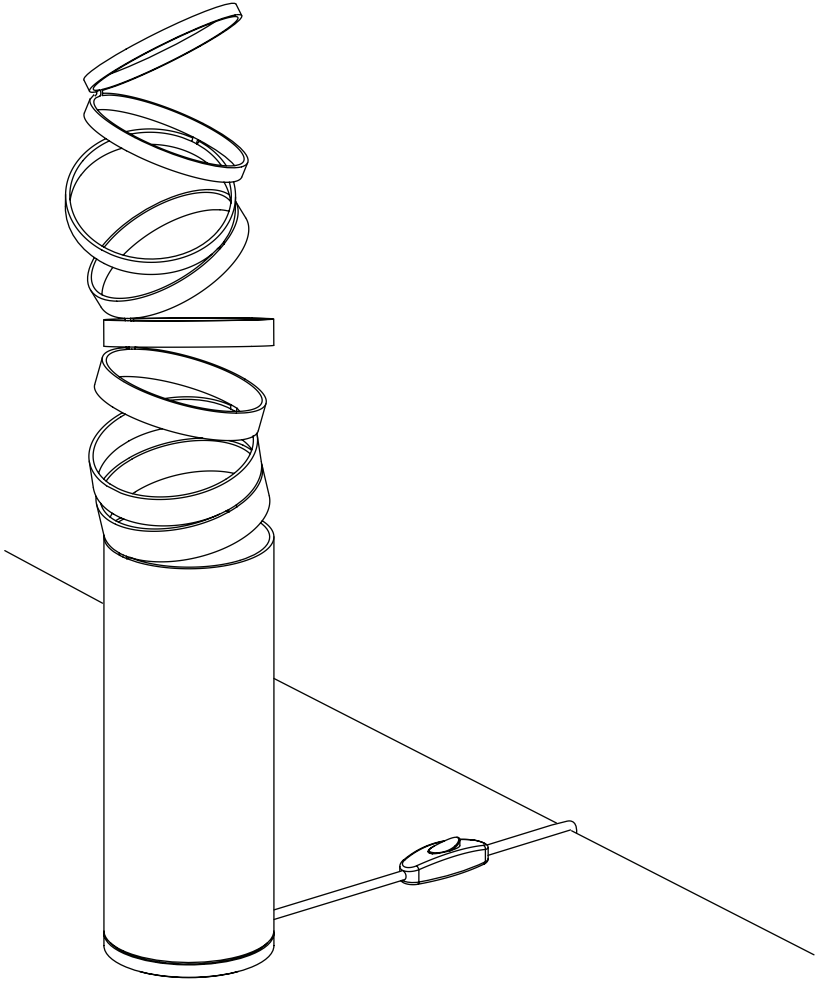
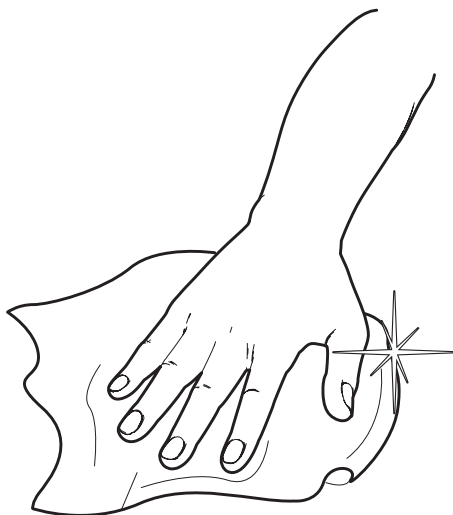
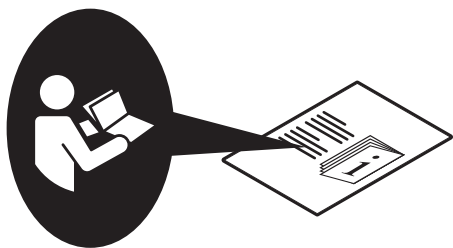


Fig. 5





DANESE

VIA ANTONIO CANOVA 34

20145 MILANO

T. +39.02.349611

F. +39.02.34538211

info@danese milano.com

www.danese milano.com

SHOWROOM

PIAZZA SAN NAZARO IN BROLO 15

20122 MILANO

T. +39.02.58304150

F. +39.02.58433350

showroomdanese@artemide.com

DANESE



MILANO | Artemide®

VIA BERGAMO 18

20010 PREGNANA MILANESE (MI) ITALY

T. +39.02.935181 - 935261

Numero Verde 800 834 093 (from Italy only)

© DECEMBER 2016 DANESE

DANESE reserves the right to change, at any time and without prior warning, the technical specification of any product illustrated in this instruction.

cod. Y513000545/A